

DATASHEET. January 2021. CYC 3 ref: VY3CST

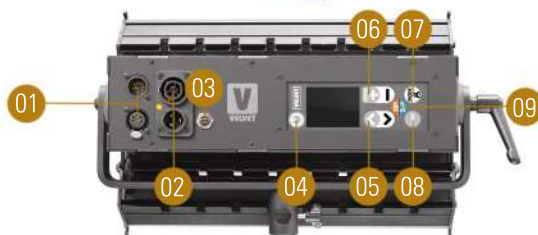
INCLUDES: VELVET CYC 3 color STUDIO (3 x 34cms long articulated battens) with on board AC Control, AC in&out PowerCon TRUE1, DMX in&out XLR-5, USB, WiFi ArtNet, Bluetooth, 1x yoke with Euro28mm junior pin - 16mm baby receiver, 1x PowerCon TRUE1 power cable



CYC 3



- 01 XLR-5 DMX RDM IN/OUT CONNECTORS
- 02 POWER-CON IN/OUT CONNECTORS
- 03 MICRO USB CONNECTOR
- 04 MAIN POWER SWITCH
- 05 UP AND DOWN SCROLL BUTTONS
- 06 ENTER/+ & - ADJUSTMENT BUTTONS
- 07 MODE SELECTION/ LOCK BUTTON
- 08 BACK BUTTON
- 09 3200K / 5600K QUICK ACCESS BUTTON



NUMBER OF LIGHT ENGINES	3
COLOUR TEMPERATURE	Continuously adjustable from 2.500K to 10.000K
LIGHT INTENSITY	Dimmable 0 to 100, smooth and flicker-free
GREEN/MAGENTA CORRECTION	Continuously adjustable (full Plusgreen to full Minusgreen)
COLOR CONTROL MODES	CTT mode, HSI+ mode, GEL mode, RGB+ mode, EFFECTS mode

LOCAL CONTROL	Shock proof buttons and color display
WIRE CONTROL	DMX-RDM with XLR-5 IN & OUT connectors

WIRELESS CONTROL	Wi-Fi ArtNet
------------------	--------------

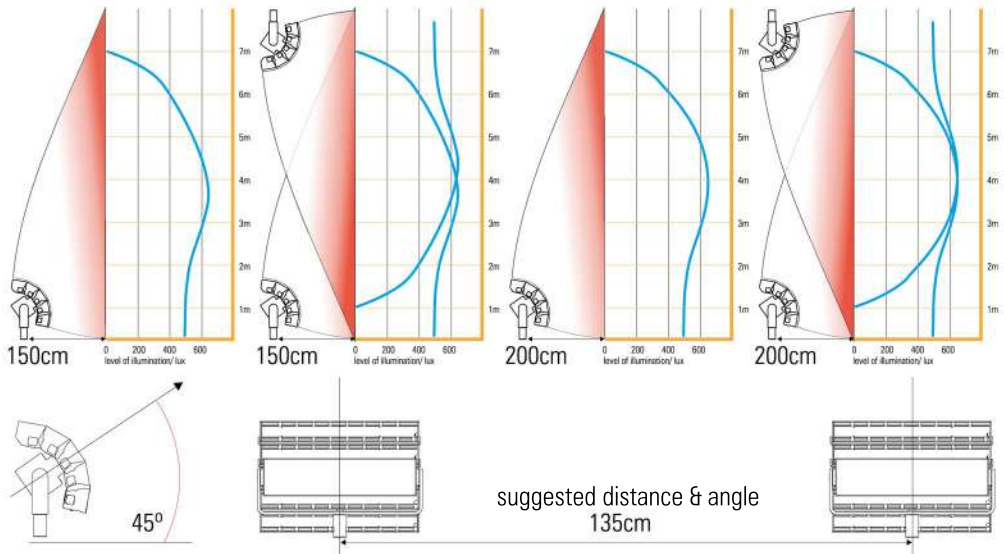
COLOR RENDERING INDEX	95 CRI typical, 90 CRI minimum
TLCI INDEX	> 90 TLCI 3200K to 5600K
PHOTOMETRICS	550 Lux / 50 fc over a background of up to 4 meters
BEAM ANGLE	Asymmetrical adjustable: Horizontal beam angle 45° Vertical beam angle adjustable 45° to 80°

DIMENSIONS	340x160x148mm / 13.4" x6.3" x5.8"
WEIGHT	3.7kg / 8.15 lbs. including yoke
POWER DRAW	60W
POWER SUPPLY	90-264 VAC 50/60Hz
LED RATED LIFE	More than 50.000 hours L70 More than 35.000 hours L80

POWER CONNECTION	Neutrik PowerCon TRUE1 TOP in and out connectors
OUTPUT FREQUENCY	16KHz flicker-free up to 3000fps
OPERATION TEMPERATURE	From -20°C to +40°C
COOLING	No-noise, fan-free passive cooling
PROTECTION	IP21 dustproof, indoor or outdoor protected use
VELVET LED CYC TECHNOLOGY	RGBW high-power selected BIN LED core unit + multi Fresnel system

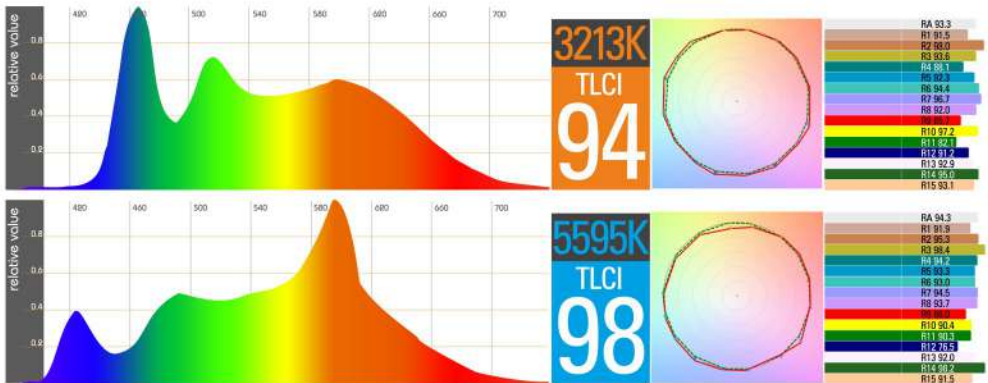
RIGGING OPTIONS	Aluminum yoke with 16 female combined with 28 pin, swivel ball head, pole operated yoke
QUICK MOUNTING ACCESSORIES	Removable barn doors, flight case

CONSTRUCTION & FINISH	Black anodized extruded aluminum and black powder coated sheet aluminum
-----------------------	---



1. The spectral distribution shown corresponds to model 5. Ideally, the spectral distribution is maintained between models, changing only the maximum height, which is 4 meters for CYC 3, 5 meters for CYC 4 and 7 meters for CYC 6

LED RENDITION



CYC 3 WIRE VIEW



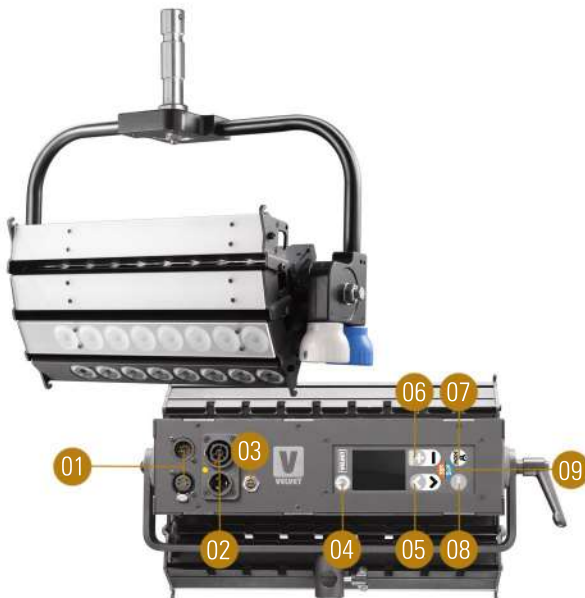
DATASHEET. January 2021. CYC 4 ref: VY4CST

INCLUDES: VELVET CYC 4 color STUDIO (4 x 34cms long articulated battens) with on board AC Control, AC in&out PowerCon TRUE1, DMX in&out XLR-5, USB, WiFi ArtNet, Bluetooth, 1x yoke with Euro28mm junior pin - 16mm baby receiver, 1x PowerCon TRUE1 power cable



CYC 4

- 01 XLR-5 DMX RDM IN/OUT CONNECTORS
- 02 POWER-CON IN/OUT CONNECTORS
- 03 MICRO USB CONNECTOR
- 04 MAIN POWER SWITCH
- 05 UP AND DOWN SCROLL BUTTONS
- 06 ENTER/+ & - ADJUSTMENT BUTTONS
- 07 MODE SELECTION/ LOCK BUTTON
- 08 BACK BUTTON
- 09 3200K / 5600K QUICK ACCESS BUTTON



NUMBER OF LIGHT ENGINES	4
COLOUR TEMPERATURE	Continuously adjustable from 2.500K to 10.000K
LIGHT INTENSITY	Dimmable 0 to 100, smooth and flicker-free
GREEN/MAGENTA CORRECTION	Continuously adjustable (full Plusgreen to full Minusgreen)
COLOR CONTROL MODES	CTT mode, HSI+ mode, GEL mode, RGB+ mode, EFFECTS mode

LOCAL CONTROL	Shock proof buttons and color display
WIRE CONTROL	DMX-RDM with XLR-5 IN & OUT connectors

WIRELESS CONTROL	Wi-Fi ArtNet
------------------	--------------

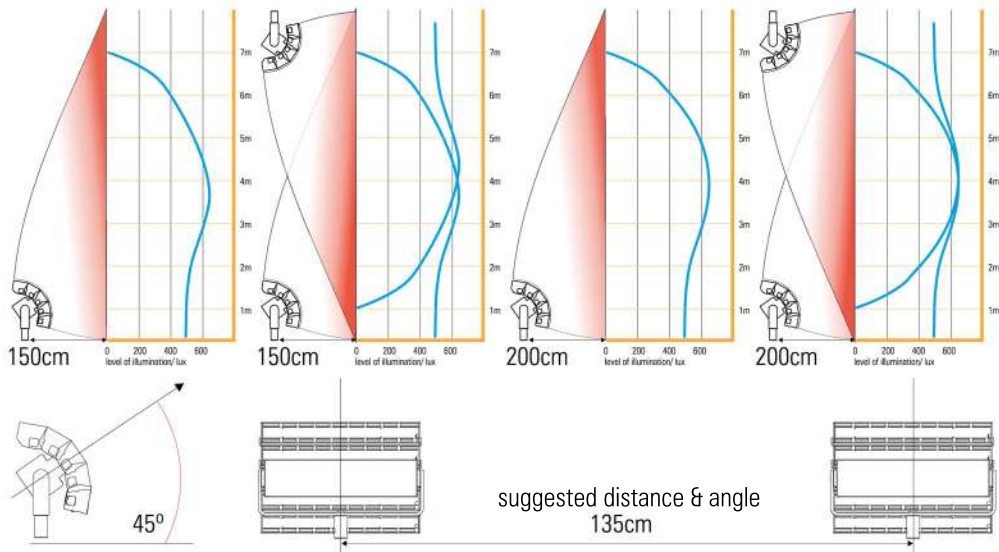
COLOR RENDERING INDEX	95 CRI typical, 90 CRI minimum
TLCI INDEX	> 90 TLCI 3200K to 5600K
PHOTOMETRICS	550 Lux / 50 fc over a background of up to 5 meters
BEAM ANGLE	Asymmetrical adjustable: Horizontal beam angle 45° Vertical beam angle adjustable 45° to 95°

DIMENSIONS	340x205x148mm / 13.4" x8" x5.8"
WEIGHT	4.9kg / 10.8 lbs. including yoke
POWER DRAW	80W
POWER SUPPLY	90-264 VAC 50/60Hz
LED RATED LIFE	More than 50.000 hours L70 More than 35.000 hours L80

POWER CONNECTION	Neutrik PowerCon TRUE1 TOP in and out connectors
OUTPUT FREQUENCY	16KHz flicker-free up to 3000fps
OPERATION TEMPERATURE	From -20°C to +40°C
COOLING	No-noise, fan-free passive cooling
PROTECTION	IP21 dustproof, indoor or outdoor protected use
VELVET LED CYC TECHNOLOGY	RGBW high-power selected BIN LED core unit + multi Fresnel system

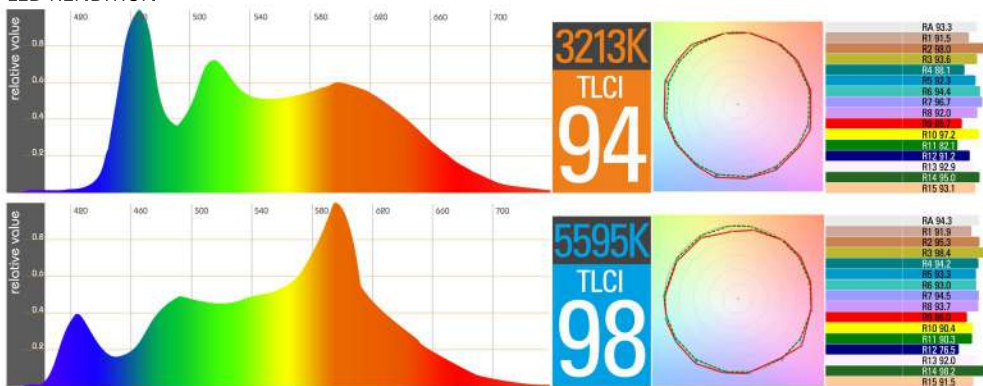
RIGGING OPTIONS	Aluminum yoke with 16 female combined with 28 pin, swivel ball head, pole operated yoke
QUICK MOUNTING ACCESSORIES	Removable barn doors, flight case

CONSTRUCTION & FINISH	Black anodized extruded aluminum and black powder coated sheet aluminum
-----------------------	---



1. The spectral distribution shown corresponds to model 5. Ideally, the spectral distribution is maintained between models, changing only the maximum height, which is 4 meters for CYC 3, 5 meters for CYC 4 and 7 meters for CYC 6

LED RENDITION



CYC 4 WIRE VIEW



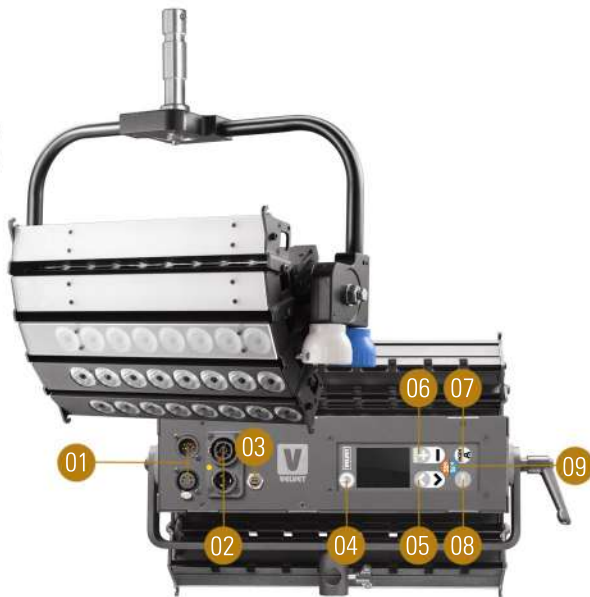
DATASHEET. January 2021. CYC 5 ref: VY5CST

INCLUDES: VELVET CYC 5 color STUDIO (5 x 34cms long articulated battens) with on board AC Control, AC in&out PowerCon TRUE1, DMX in&out XLR-5, USB, WiFi ArtNet, Bluetooth, 1x yoke with Euro28mm junior pin - 16mm baby receiver, 1x PowerCon TRUE1 power cable

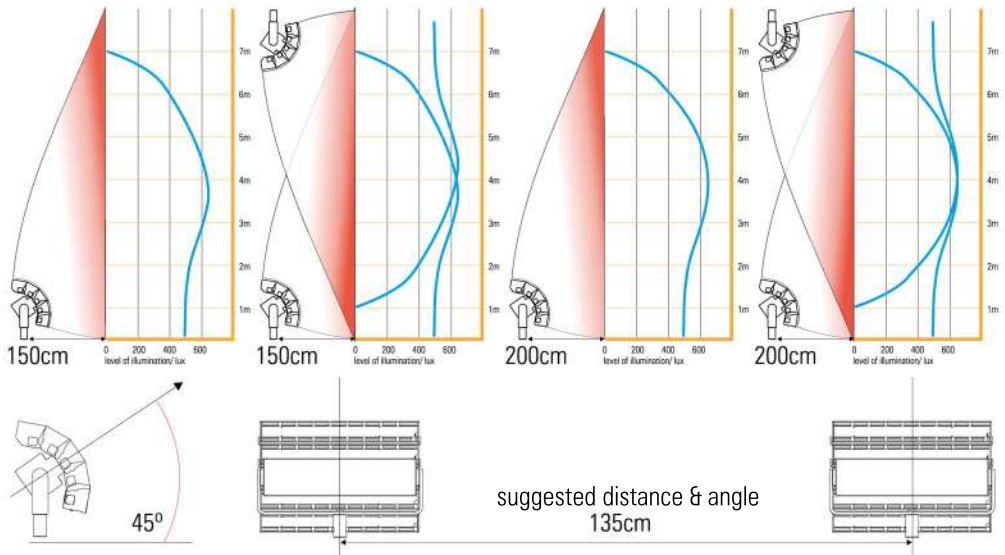


CYC 5

- 01 XLR-5 DMX RDM IN/OUT CONNECTORS
- 02 POWER-CON IN/OUT CONNECTORS
- 03 MICRO USB CONNECTOR
- 04 MAIN POWER SWITCH
- 05 UP AND DOWN SCROLL BUTTONS
- 06 ENTER/+ & - ADJUSTMENT BUTTONS
- 07 MODE SELECTION/ LOCK BUTTON
- 08 BACK BUTTON
- 09 3200K / 5600K QUICK ACCESS BUTTON

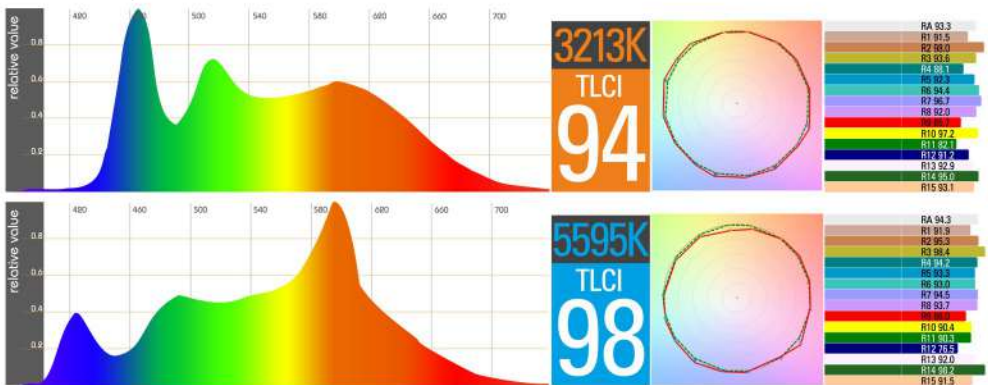


NUMBER OF LIGHT ENGINES	5
COLOUR TEMPERATURE	Continuously adjustable from 2.500K to 10.000K
LIGHT INTENSITY	Dimmable 0 to 100, smooth and flicker-free
GREEN/MAGENTA CORRECTION	Continuously adjustable (full Plusgreen to full Minusgreen)
COLOR CONTROL MODES	CTT mode, HSI+ mode, GEL mode, RGB+ mode, EFFECTS mode
LOCAL CONTROL	Shock proof buttons and color display
WIRE CONTROL	DMX-RDM with XLR-5 IN & OUT connectors
WIRELESS CONTROL	Wi-Fi ArtNet
COLOR RENDERING INDEX	95 CRI typical, 90 CRI minimum
TLCI INDEX	> 90 TLCI 3200K to 5600K
PHOTOMETRICS	550 Lux / 50 fc over a background of up to 6 meters
BEAM ANGLE	Asymmetrical adjustable: Horizontal beam angle 45° Vertical beam angle adjustable 45° to 110°
DIMENSIONS	340x250x148mm / 13,4x10x,2,7"
WEIGHT	5.5kg / 12 lbs. including yoke
POWER DRAW	100W
POWER SUPPLY	90-264 VAC 50/60Hz
LED RATED LIFE	More than 50.000 hours L70 More than 35.000 hours L80
POWER CONNECTION	Neutrik PowerCon TRUE1 TOP in and out connectors
OUTPUT FREQUENCY	16KHz flicker-free up to 3000fps
OPERATION TEMPERATURE	From -20°C to +40°C
COOLING	No-noise, fan-free passive cooling
PROTECTION	IP21dustproof, indoor or outdoor protected use
VELVET LED CYC TECHNOLOGY	RGBW high-power selected BIN LED core unit + multi Fresnel system
RIGGING OPTIONS	Aluminum yoke with 16 female combined with 28 pin, swivel ball head, pole operated yoke
QUICK MOUNTING ACCESSORIES	Removable barn doors, flight case
CONSTRUCTION & FINISH	Black anodized extruded aluminum and black powder coated sheet aluminum

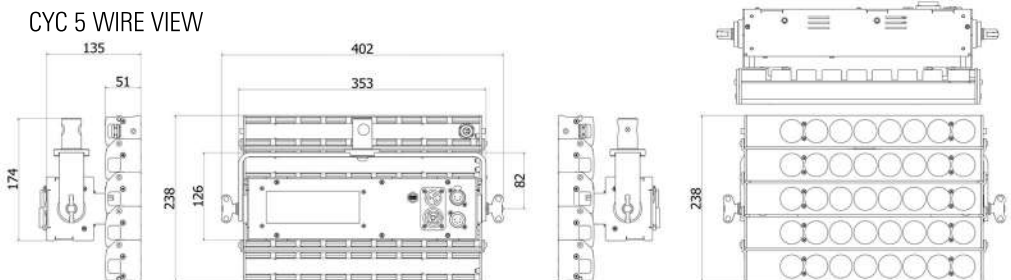


1. The spectral distribution shown corresponds to model 5. Ideally, the spectral distribution is maintained between models, changing only the maximum height, which is 4 meters for CYC 3, 5 meters for CYC 4 and 7 meters for CYC 6

LED RENDITION



CYC 5 WIRE VIEW



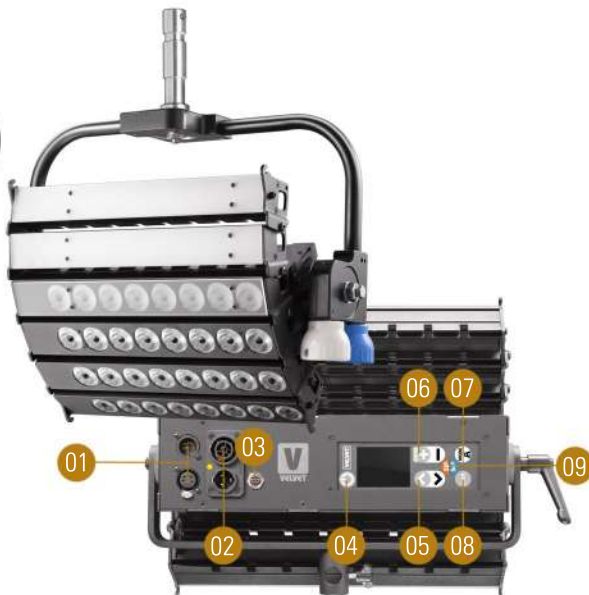
DATASHEET. January 2021. CYC 6 ref: VY6CST

INCLUDES: VELVET CYC 6 color STUDIO (6 x 34cms long articulated battens) with on board AC Control, AC in&out PowerCon TRUE1, DMX in&out XLR-5, USB, WiFi ArtNet, Bluetooth, 1x yoke with Euro28mm junior pin - 16mm baby receiver, 1x PowerCon TRUE1 power cable



CYC 6

- 01 XLR-5 DMX RDM IN/OUT CONNECTORS
- 02 POWER-CON IN/OUT CONNECTORS
- 03 MICRO USB CONNECTOR
- 04 MAIN POWER SWITCH
- 05 UP AND DOWN SCROLL BUTTONS
- 06 ENTER/+ & - ADJUSTMENT BUTTONS
- 07 MODE SELECTION/ LOCK BUTTON
- 08 BACK BUTTON
- 09 3200K / 5600K QUICK ACCESS BUTTON



NUMBER OF LIGHT ENGINES	6
COLOUR TEMPERATURE	Continuously adjustable from 2.500K to 10.000K
LIGHT INTENSITY	Dimmable 0 to 100, smooth and flicker-free
GREEN/MAGENTA CORRECTION	Continuously adjustable (full Plusgreen to full Minusgreen)
COLOR CONTROL MODES	CTT mode, HSI+ mode, GEL mode, RGB+ mode, EFFECTS mode

LOCAL CONTROL	Shock proof buttons and color display
WIRE CONTROL	DMX-RDM with XLR-5 IN & OUT connectors

WIRELESS CONTROL	Wi-Fi ArtNet
------------------	--------------

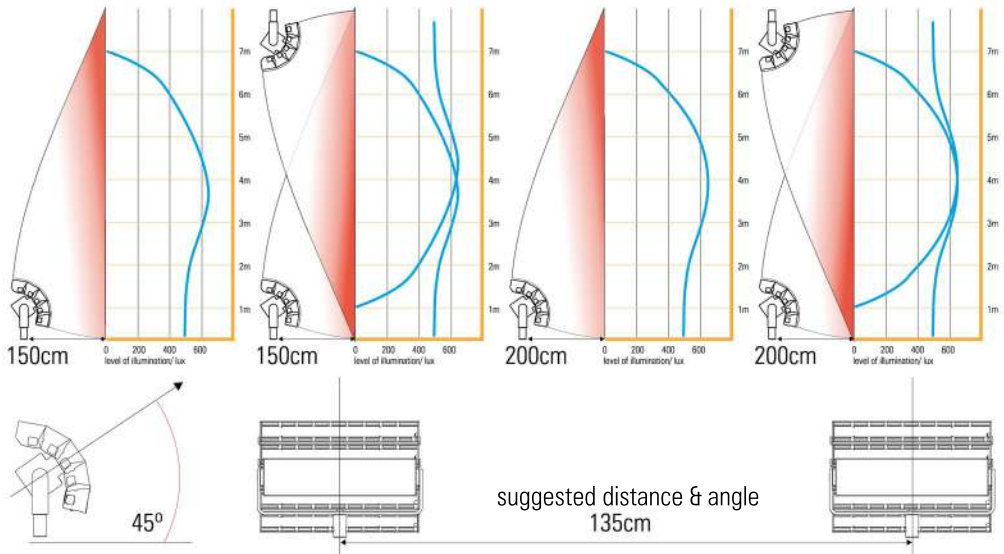
COLOR RENDERING INDEX	95 CRI typical, 90 CRI minimum
TLCI INDEX	> 90 TLCI 3200K to 5600K
PHOTOMETRICS	550 Lux / 50 fc over a background of up to 7 meters
BEAM ANGLE	Asymmetrical adjustable: Horizontal beam angle 45° Vertical beam angle adjustable 45° to 125°

DIMENSIONS	340x300x148mm / 13,4x12x,2,7
WEIGHT	6.1kg / 13.4 lbs. including yoke
POWER DRAW	125W
POWER SUPPLY	90-264 VAC 50/60Hz
LED RATED LIFE	More than 50.000 hours L70 More than 35.000 hours L80

POWER CONNECTION	Neutrik PowerCon TRUE1 TOP in and out connectors
OUTPUT FREQUENCY	16KHz flicker-free up to 3000fps
OPERATION TEMPERATURE	From -20°C to +40°C
COOLING	No-noise, fan-free passive cooling
PROTECTION	IP21dustproof, indoor or outdoor protected use
VELVET LED CYC TECHNOLOGY	RGBW high-power selected BIN LED core unit + multi Fresnel system

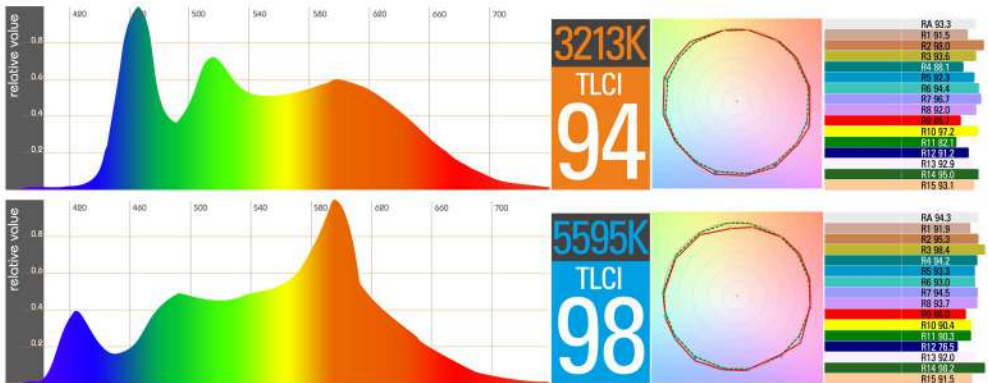
RIGGING OPTIONS	Aluminum yoke with 16 female combined with 28 pin, swivel ball head, pole operated yoke
QUICK MOUNTING ACCESSORIES	Removable barn doors, flight case

CONSTRUCTION & FINISH	Black anodized extruded aluminum and black powder coated sheet aluminum
-----------------------	---



1. The spectral distribution shown corresponds to model 5. Ideally, the spectral distribution is maintained between models, changing only the maximum height, which is 4 meters for CYC 3, 5 meters for CYC 4 and 7 meters for CYC 6

LED RENDITION



CYC 6 WIRE VIEW

